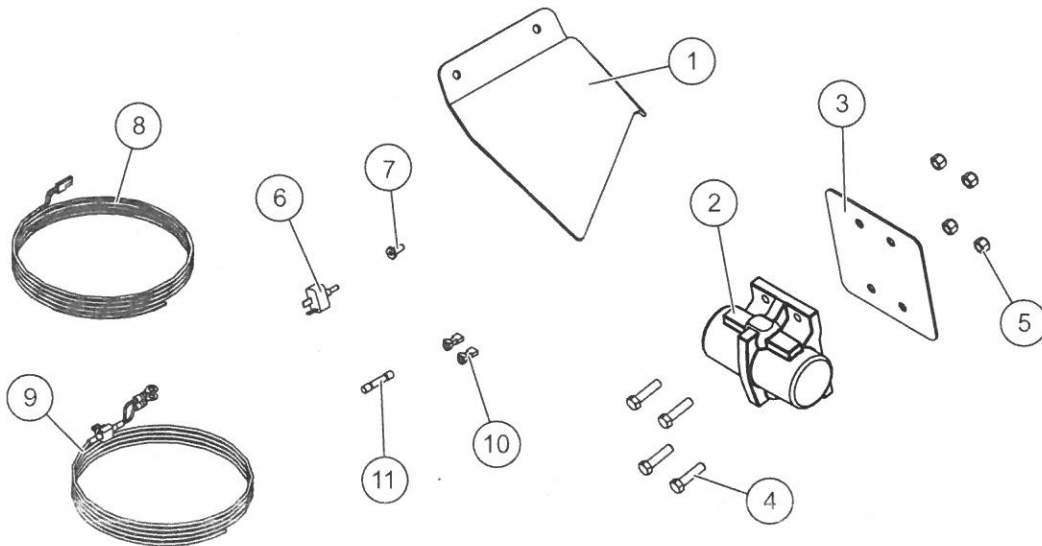


# Optimum Flow Kit Vee Pro Spreaders

## PARTS LIST



51106 Optimum Flow Kit							
Item	Part	Qty	Description	Item	Part	Qty	Description
1	D6578	1	Opti-Flow Baffle	7	D6406	1	Rubber Switch Boot
2	D6174	1	DC-80 Vibrator	8	D6403	1	Spreader/Vehicle Harness 20'
3	D5508	1	Vibrator Backing Plate	9	D6404	1	Battery Harness 10'
4	D6160	4	3/8-16 x 2 Hex Cap Screw G5	10	D7106	2	Spade Connector
5	D4124	4	3/8-16 Hex Locknut GB	11	D6234	1	Butt Connector
6	D6184	1	ON/OFF Switch	ns	D6344	1	Dielectric Grease
ns = not shown				G = Grade			

**⚠ WARNING**  
 Do not exceed GVWR or GAWR ratings as found on the driver-side vehicle door cornerpost.

**⚠ CAUTION**  
 Read this document before installing the Optimum Flow Kit.

**⚠ CAUTION**  
 Plants can be damaged when exposed to vibrating surface.

**⚠ CAUTION**  
 Use standard methods and practices when installing service parts and accessories, including proper personal protective safety equipment.

**⚠ CAUTION**  
 Contact with a vibrating surface can cause numbness, tingling and loss of dexterity. Users should take breaks and wear gloves to limit vibrating exposure.

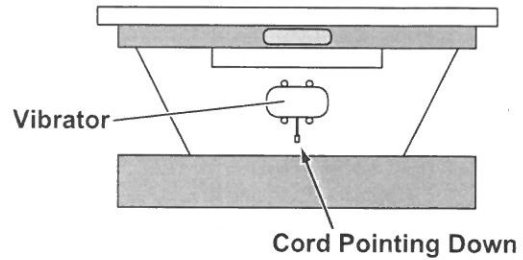
**INSTALLATION INSTRUCTIONS**

Park the vehicle on a smooth, level, hard surface, such as concrete. Switch the spreader control OFF. Turn the vehicle ignition to the "OFF" position and remove the key.

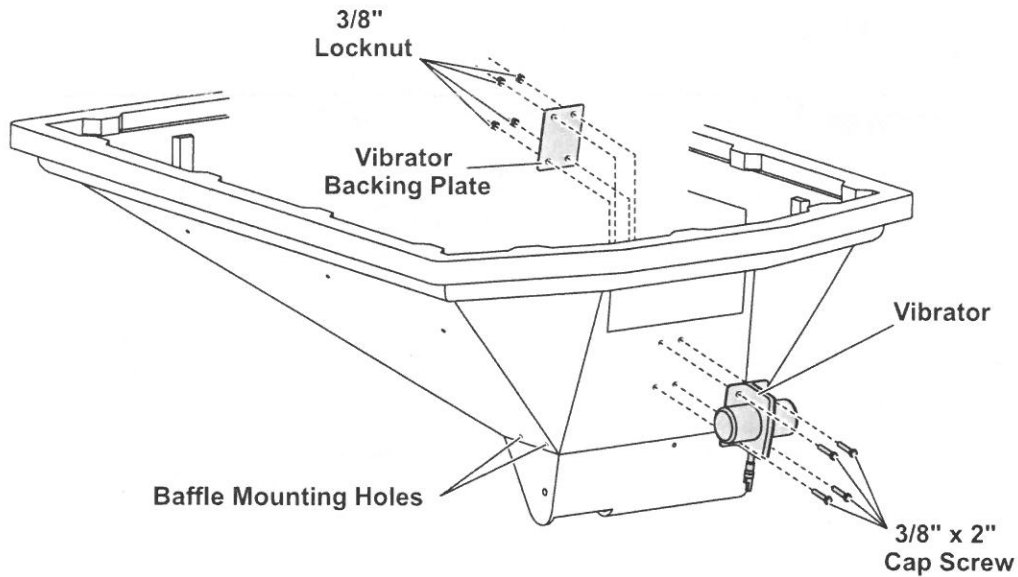
**Install Opti-Flow Baffle and Vibrator**

1. Remove the top screen and fasteners.
2. Remove the existing hopper trough baffle and retain the fasteners.
3. Install the supplied opti-flow baffle in place of the original baffle using the retained 5/16" fasteners in the original mounting holes.

4. Position the vibrator horizontally below the brand logo on the hopper body. Mark and drill four 3/8" holes through the rear hopper face for mounting the vibrator.



5. Install the vibrator and backing plate with four 3/8" x 2" cap screws and 3/8" locknuts. The vibrator must be installed with the cord pointing down. The vibrator backing plate must be installed on the *inside* surface of the hopper, as shown.



### Install Wiring

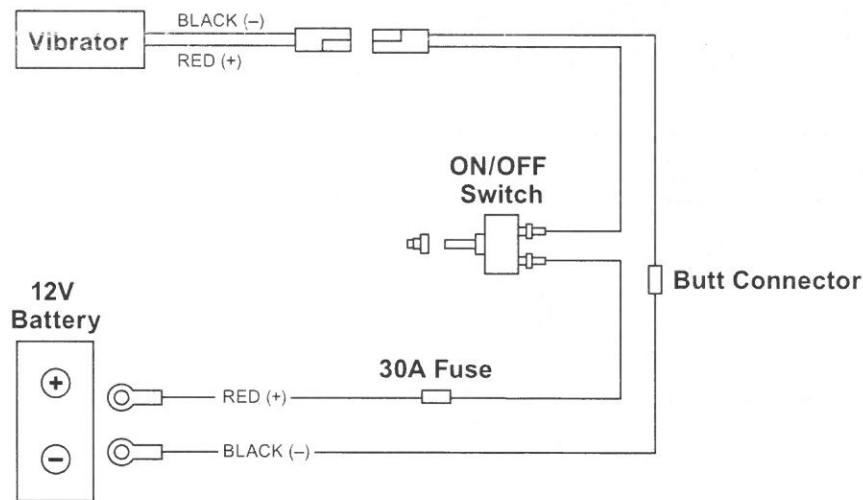
1. Install the ON/OFF switch and rubber switch boot at the desired location in the vehicle cab.
2. Route the spreader/vehicle harness from the rear of the vehicle to the ON/OFF switch. This will determine the proper length to cut the harness wires.
3. Remove 3" of the black outer jacket from the cut end of the spreader/vehicle harness, exposing the red and black wires. Strip 1/4" of insulation from the wires. Crimp a 1/4" spade connector onto the red wire. Crimp the butt connector onto the black wire. Connect the red wire with spade connector to the ON/OFF switch.
4. Route the battery harness from the battery to the ON/OFF switch to determine the proper length to cut the harness wires.
5. Repeat the process described in Step 3 to strip the wires on the battery harness and crimp a 1/4" spade connector onto the red wire. Crimp the black wire into the butt connector already attached to the spreader/vehicle harness. Connect the spade connector on the red wire to the ON/OFF switch.
6. Attach the ring terminal on the red wire of the battery harness to the POSITIVE (+) side of the battery and the ring terminal on the black wire to the NEGATIVE (-) side of the battery.
7. Connect the vibrator cord plug to the molded plug on the spreader/vehicle harness.

---

**NOTE: Use dielectric grease on all connections to prevent corrosion. Fill receptacles and lightly coat ring terminals before assembly.**

---

8. Reinstall the top screen.





TrynEx International  
531 Ajax Drive  
Madison Heights, MI 48071-2429  
[www.snowexproducts.com](http://www.snowexproducts.com)

 A DIVISION OF DOUGLAS DYNAMICS, LLC

Copyright © 2015 Douglas Dynamics, LLC. All rights reserved. This material may not be reproduced or copied, in whole or in part, in any printed, mechanical, electronic, film or other distribution and storage media, without the written consent of TrynEx International. Authorization to photocopy items for internal or personal use by TrynEx International outlets or spreader owner is granted.

TrynEx International reserves the right under its product improvement policy to change construction or design details and furnish equipment when so altered without reference to illustrations or specifications used. Patents Pending. TrynEx International offers a limited warranty for all equipment and accessories. See separately printed page for this important information. The following are registered (®) or unregistered (™) trademarks of Douglas Dynamics, LLC: SnowEx®.

**Printed in U.S.A.**